

Product specification sheet

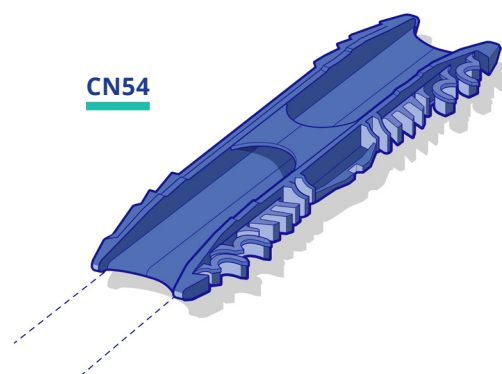
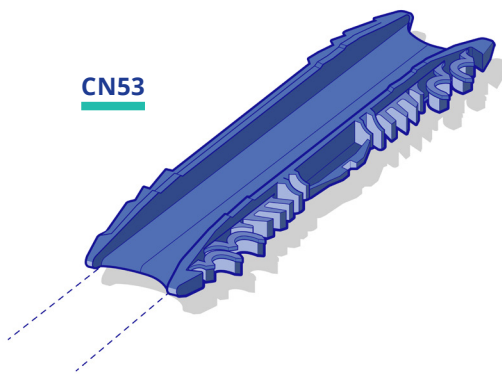
CN53 & CN54 | Connector solutions

Material: PA 6 GF35, dry impact resistant

Fogging test DIN EN 1279-4: IFT Rosenheim, TÜV Rheinland Nederland B.V.

Color: similar to RAL 9005 (black) | similar to RAL 7035 (grey)

Environmental sustainability: fully recyclable, does not cause skin irritation (no glass fibre on the surface), free of harmful substances



Connector	Size	Length [mm]	Height [mm]
CN53	12	62,00	4,85
CN53	14	62,00	5,20
CN53	16	62,00	5,20
CN53	18	62,00	5,20
CN54	20	66,00	5,20
CN54	14	62,00	5,20
CN54	15	62,00	5,20
CN54	16	62,00	5,20
CN54	18	62,00	5,20
CN54	20	66,00	5,20