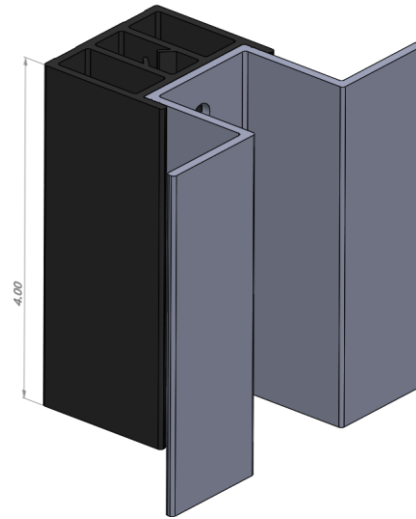
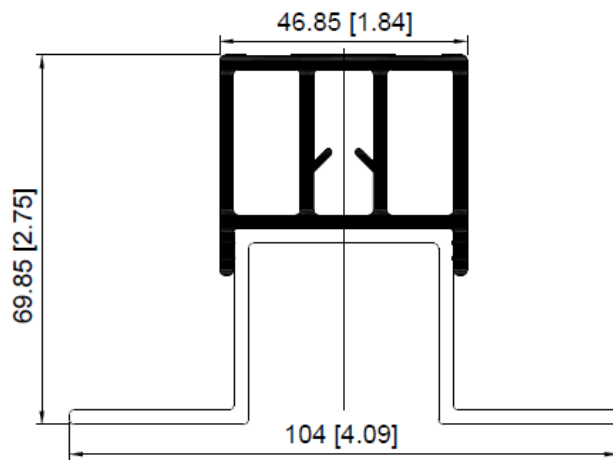


Engineering Data Sheet

TIC0403 – 3" Thermal Isolator Clip



*Dimensions = inches [mm]

Sectional Properties of the TIC0403

Profile Depth	2.75"
Material	40% glass-filled polyamide, 6063-T6 alloy and temper
Area	1.64 in ²
Centroid relative to output coordinate system	y = 0.02
Moments of inertia, at centroid	I _x = 1.27, I _y = 1.14, I _z = 2.41
Material properties: 40% GF polyamide	
Compressive stress	910,639 lb/in ²
Flexural Stress	32,768 lb/in ²
Transverse tensile stress	13,408 lb/in ²
Young's modulus	452,988 lb/in ²